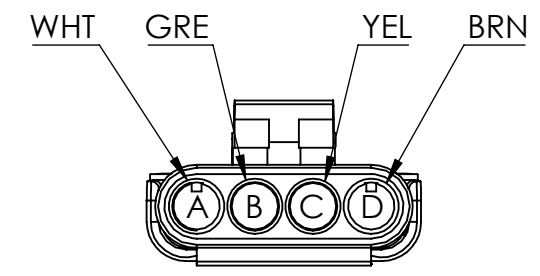
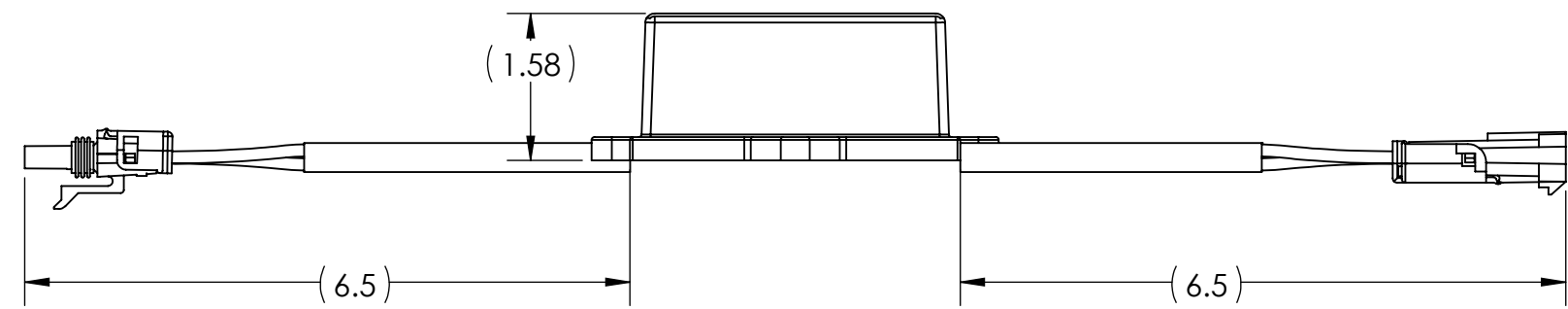
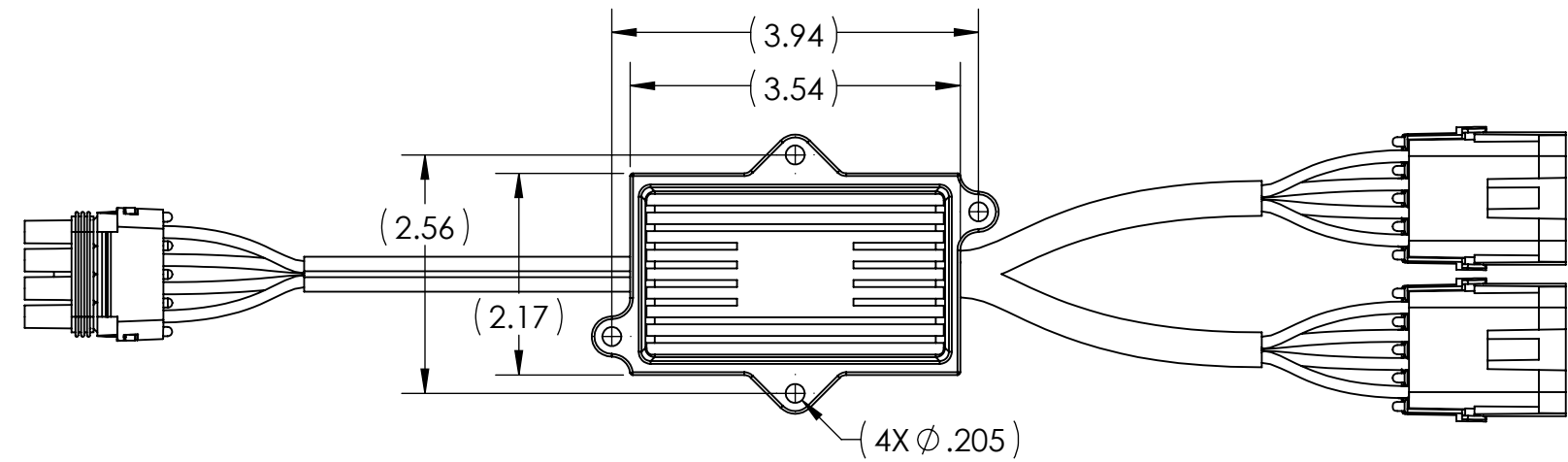
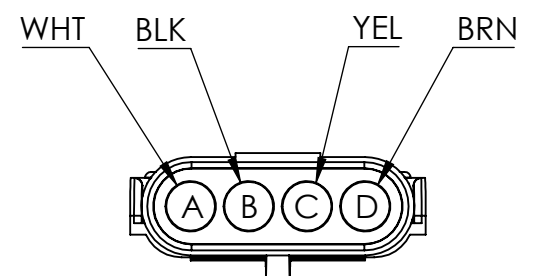


REVISION INFORMATION

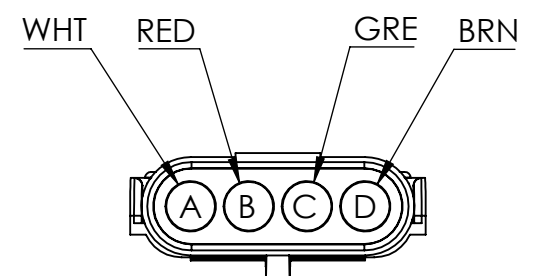
REV.	ECO	ENG. APP.	DATE
A		RCB	9/12/2014



TO MAIN HARNESS



TO LEFT REAR HARNESS



TO RIGHT REAR HARNESS

NOTES:

- ALL CONNECTORS ARE:
4-WAY WEATHER PACK - TOWER (12015797)
4-WAY WEATHER PACK - SHROUD (12010974)
- ALL CONNECTION VIEWS ARE FACING FRONT OF CONNECTOR

MATERIAL: SEE COMPONENT DWG	WEIGHT: 0.58 lbs.	HARDNESS: SEE COMPONENT DWG	TITLE: AG ENHANCER MODULE 4-In / 2x 4-Out
UNLESS OTHERWISE SPECIFIED: SINGLE DIMENSIONS ARE: INCH DUAL DIMENSIONS ARE: [MM]	MAX MACHINED SURFACE FINISH = 125 MAX FILLET RADIUS = 0.015 BREAK ALL SHARP EDGES = 0.015 MAX	Jammy, Inc. Fort Worth, TX	USAGE:
TOLERANCES: DECIMAL (X.X) ± 0.1 (X.XX) ± 0.01 (X.XXX) ± 0.005 (X.XXXX) ± 0.0005 FRACTIONAL ± 1/32	ANGULAR (X) ± 1 (X.X) ± 0.1 (X.XX) ± 0.05	INTERPRET GEOMETRIC TOLERANCING PER: ASME Y14.5M - 2009 THIRD ANGLE PROJECTION 	PROPRIETARY AND CONFIDENTIAL THE INFORMATION CONTAINED IN THIS DRAWING IS THE SOLE PROPERTY OF JAMMY INC. ANY REPRODUCTION IN PART OR AS A WHOLE WITHOUT THE WRITTEN PERMISSION OF JAMMY INC IS PROHIBITED.
PART NO. J-AEM-48		SCALE: 1:2	SHEET 1 of 1
SIZE B	DWG. NO.		REV A