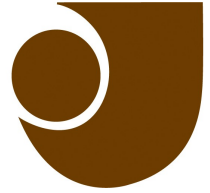


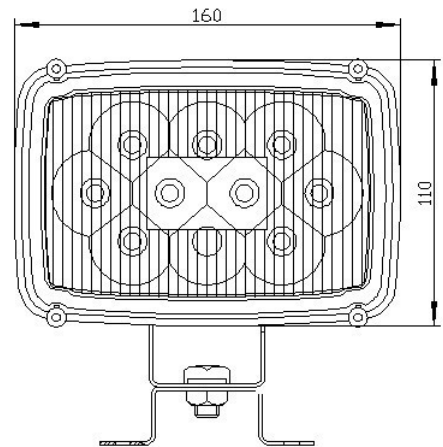
Model J-14655 Standard Output LED Worklamp

Specification Sheet



Specifications

- 10 to 32 Volt Wide Operating Range
- 10 pcs 1-Watt Diodes
- Patterned Lens
- 900 Lumen Output Equivalent to 55W Halogen
- 940 mA Power Consumption
- IP-66 Rating
- Nylon Housing w/ PC Lens and Steel Hardware
- Reversible Mounting Bracket
- Surface-Mount Swivel Attachment Included
- Trapezoidal Beam Pattern



Dimensions:

Lens: 5.25" W x 3.5" H

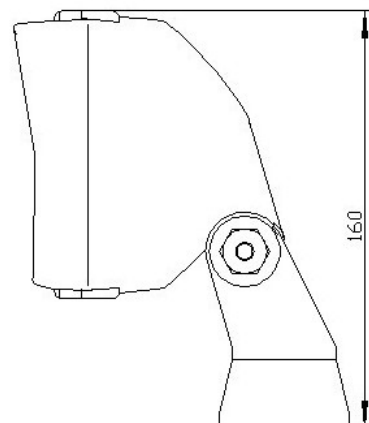
Body: 6.25" W x 4.5" H x 4.25" D

Includes Surface Mount Swivel Bracket

Notes:

RoHS Exempt

Available soon with 3-Watt Diodes



JAMMY, INCORPORATED

PO Box 471697, Fort Worth, TX 76147 817.737.6566 / Fax 737.5960 / 800.537.3136 / www.jammyinc.com