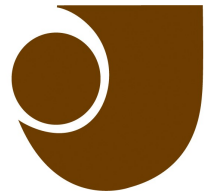


SOL Series Four

Model J-14410 40 Watt LED Worklamp



Specifications

- Four 10 Watt LED Diodes, Medium Flood Beam
- Chrome Specular Reflector with Linear Prismatic Flat Lens
- Die Cast Aluminum Housing
- Stainless 304 Hardware
- Sealed to IP 66
- 2000 Lumen Working Output; Raw output over 3200 lumens
- Equivalent to a 300 Watt Halogen Lamp
- 10 to 32 Volt Wide Operating Range
- 3.0 Amps @ 14 volts
- Sealed Multi-conductor jacketed cable w/ 10" Lead
- Optional Surface Mount Swivel Bracket Included



Dimensions:

Lens: 4.125" Diameter Round

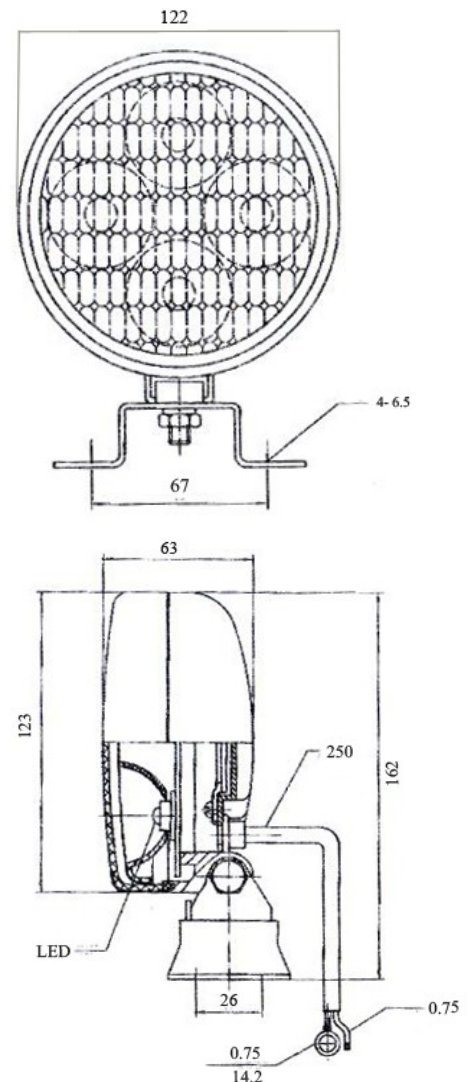
Body: 4.85" Diameter x 2.36" D

Single 5/16" Mounting Bolt

Notes:

RoHS Exempt

Recommended for: Off-Road, Construction, Industrial,
Agricultural, Mining, Forestry, Marine, Military



JAMMY, INCORPORATED

PO Box 471697, Fort Worth, TX 76147 817.737.6566 / Fax 737.5960 / 800.537.3136 / www.jammyinc.com